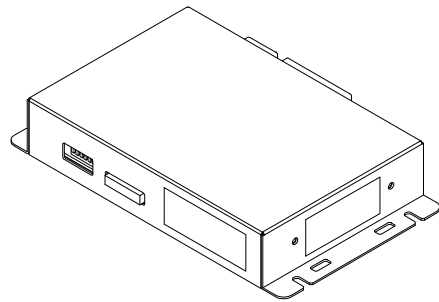
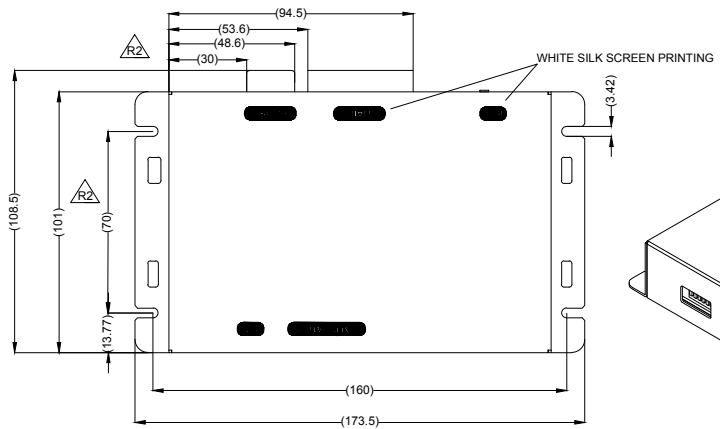
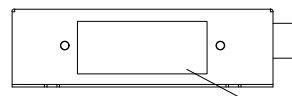
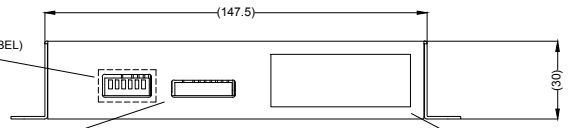


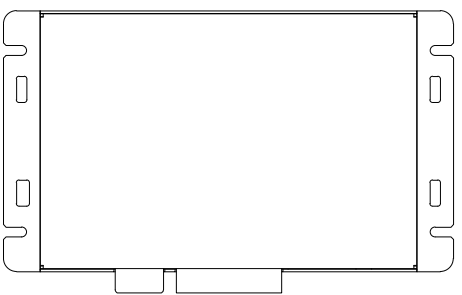
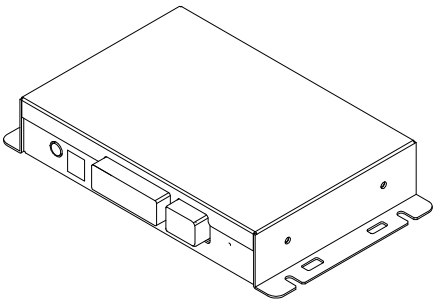
Revision Notes.				
R1 - Updated Note 2 for firmware revision details as per ECR CR-A582				
APA: S.KANG	Drawn:S.LAVER	Checked:L.PILLAY	Approved:B.JOHN	Date: 16/01/18
R2 - DIMENSION CORRECTED FROM (27) TO (30) / (63) TO (70) AS PER QI1114				
APA: H.KWAK	Drawn:w.BEAZLEY	Checked:S.LAVER	Approved:D.WALLIN	Date: 12/04/2018



6 WAY DIP SWITCH
(COVERED BY WARNING LABEL)

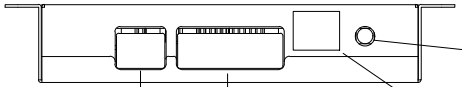
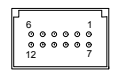
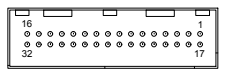


SERIAL NO. LABEL LOCATION



VIEW A
32 PIN MALE
MATING FACE

VIEW B
12 PIN MALE
MATING FACE



3.5mm STEREO SOCKET CONNECTOR

VIEW B

VIEW A

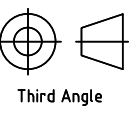
WARRANTY WARNING LABEL

- NOTES:**
1. FACTORY INSTALLED FIRMWARE IS LATEST VERSION OF ENGLISH LANDSCAPE 1
 2. SEE LATEST REVISION OF "NS_BRIGADE_SW_RELEASE_NOTE(INO-3400)" FOR LATEST ECU FIRMWARE REVISION
 3. MATERIAL: ALUMINUM 1.0t.
 4. FINISH: MATT BLACK POWDER COAT.
 5. SCREEN PRINTING WHITE SURROUND BLACK LETTERING.
 6. FOR LABEL AND PACKAGING DETAILS REFER TO MASTER BOM.
 7. FOR VIEW A AND B PINOUT REFER TO LATEST REVISION OF DRAWINGS BE-003556-XX-17 AND BE-003557-XX-16.
 8. WARRANTY AND WARNING LABEL DETAILS CONTROLLED BY SUPPLIER.

PROPRIETARY NOTICE
THIS DESIGN AND TECHNICAL INFORMATION APPEARING ON THIS DRAWING IS THE PROPERTY OF BRIGADE ELECTRONICS, AND IS DISCLOSED IN CONFIDENCE. IT IS NOT TO BE COPIED, REPRODUCED, REVEALED TO OR EXPROPRIATED BY OTHERS, EITHER IN WHOLE OR IN PART WITHOUT THE EXPRESS WRITTEN CONSENT OF BRIGADE ELECTRONICS.



Assembly PI Approval Y.J.LEE 28/03/17	Approved by B.JOHN	Checked by D.RICHARDSON	Drawn by S.LAVER
Angle of Projection 	Units mm	Scale N/A	Released 28/03/17
Status RELEASED		Assembly Ref BN360-200-ECU	
Part No 5201		BE-003528-02-16	



Third Angle